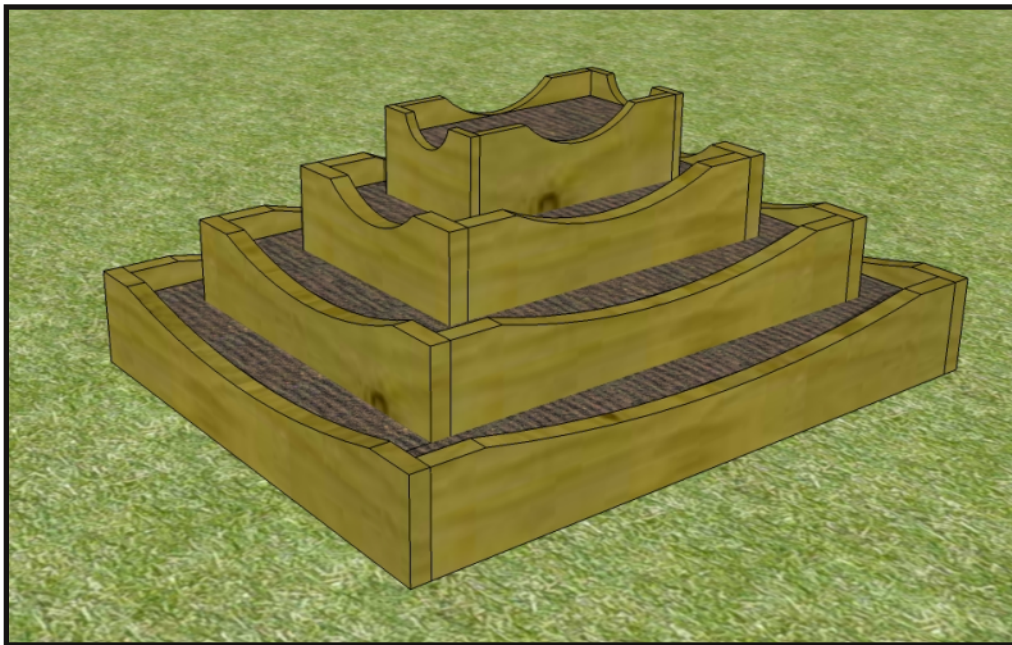


CHIEF'S SHOP PLAN OF THE WEEK



SIMPLE WOODWORKING: PYRAMID PLANTER



WHAT YOU'LL NEED



LUMBER

- 1 - 1 x 8 x 8
- 1 - 2 x 2 x 8
- 5 - 2 x 8 x 8

(availability will vary)

HARDWARE/SUPPLIES

- 3" deck screws *or*
- 2 1/2" pocket hole screws
- 2 1/2" deck screws
- 1 1/4" deck screws &/or
- 1 1/4" pocket hole screws
- wood glue
- paint/stain

TOOLS

- table saw (optional)
- miter saw
- jigsaw
- sander/belt sander
- drill/driver
- Kreg Pocket Hole Jig (optional)
- clamps
- square

ABOUT THESE PLANS

On this first page you will see above the project complete. On the [last page](#) you'll find the finished outer dimensions. Be sure to read ALL of the project steps before you start.

To the right is a list of the Lumber, Hardware/Supplies, and Tools you will need to complete this project. A measuring tape and pencil are not included because that should be pretty standard and self explanatory.

Below What You'll Need is the Parts list. This also is included on the [Cutting Diagram](#) page, which is the next to last page of this plan document. Also on the [Cutting Diagram](#) page is an estimate of the cost of the lumber. This estimate doesn't include any other supplies and does not factor in sales tax.

Throughout these plans you'll find the icons below:



LAYOUT

This indicates a diagram detailing the dimensions of a project part and/or the placement for pocket holes, screws, nails, etc.



NOTE

Notes are the instructions for a particular step/section of the project.



TAKE CARE!

This indicates when to pay close attention to the diagrams, take precautions for safety, etc.



MORE PLANS

Want more Chief's Shop plans? Visit chiefs-shop.com and look through the Plans section.

Be sure to "Like" Chief's Shop on facebook by heading over to [facebook.com/ChiefsShop](https://www.facebook.com/ChiefsShop).

PARTS

- Bottom Side Rails (2) - 1 1/2 x 7 1/4 x 48
- Bottom End Rails (2) - 1 1/2 x 7 1/4 x 40
- Second Level Side Rails (2) - 1 1/2 x 7 1/4 x 37
- Second Level End Rails (2) - 1 1/2 x 7 1/4 x 29
- Second Level Posts (4) - 1 1/2 x 3 1/2 x 10
- Third Level Side Rails (2) - 1 1/2 x 7 1/4 x 26
- Third Level End Rails (2) - 1 1/2 x 7 1/4 x 18
- Third Level Posts (4) - 1 1/2 x 3 1/2 x 14 1/2
- Top Side Rails (2) - 3/4 x 7 1/4 x 48
- Top End Rails (2) - 3/4 x 7 1/4 x 40
- Top Posts (4) - 1 1/2 x 1 1/2 x 19

All parts are listed in actual dimensions. Refer to the Cutting Diagram on the last page of this plan as a guide for determining the specific board from which to cut the parts.

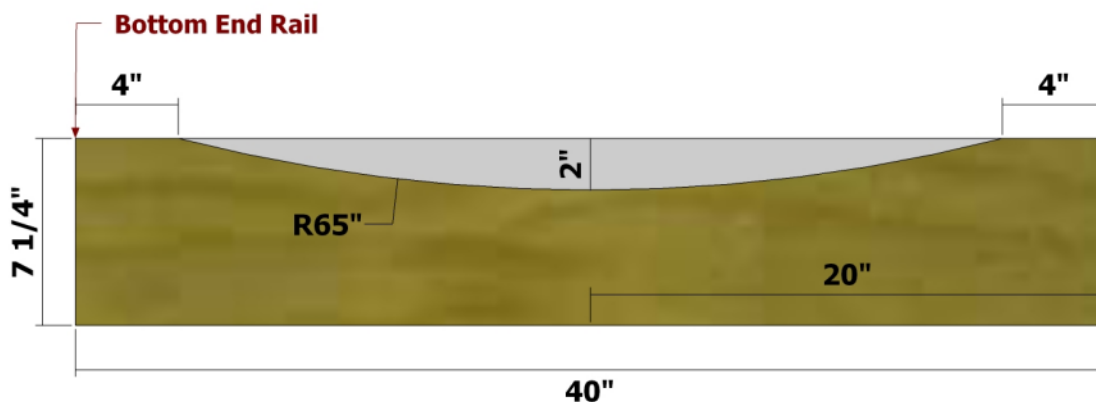
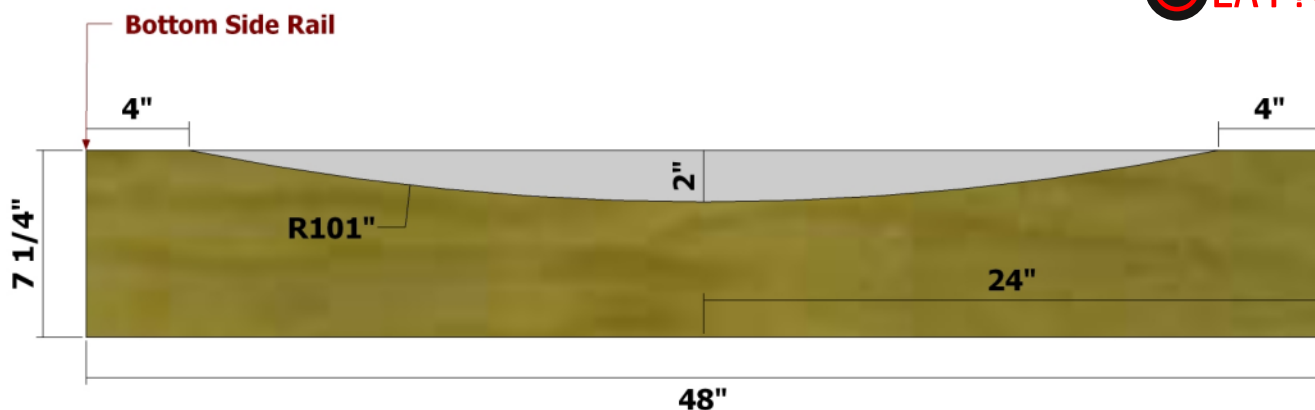
VIDEO

Check out Chief's Shop Videos on YouTube. ([click here](#))



You have two choices for joinery for the levels - either deck screws or pocket hole screws. Either will work just as well. Make sure the pocket hole screws you use are rated for exterior use.

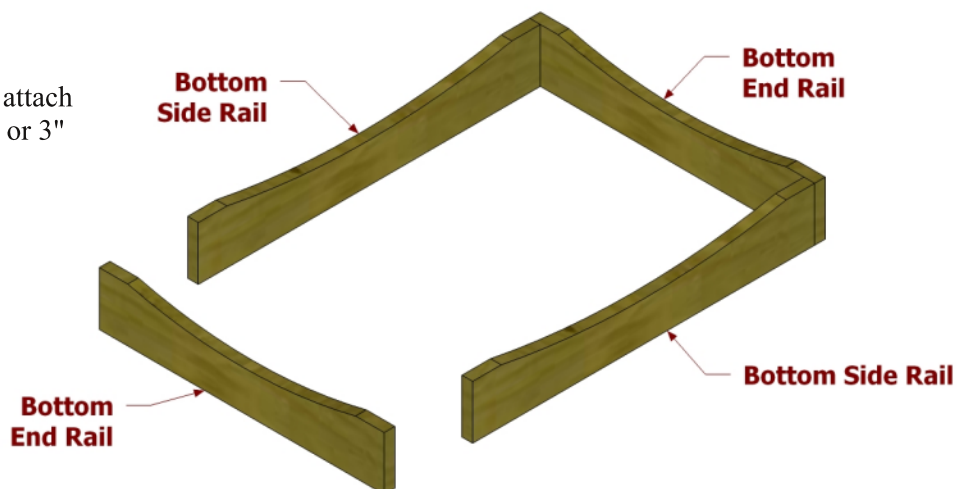
Take a look at this video (click on the image to go to the video) for a tip on marking the arcs on the rails.



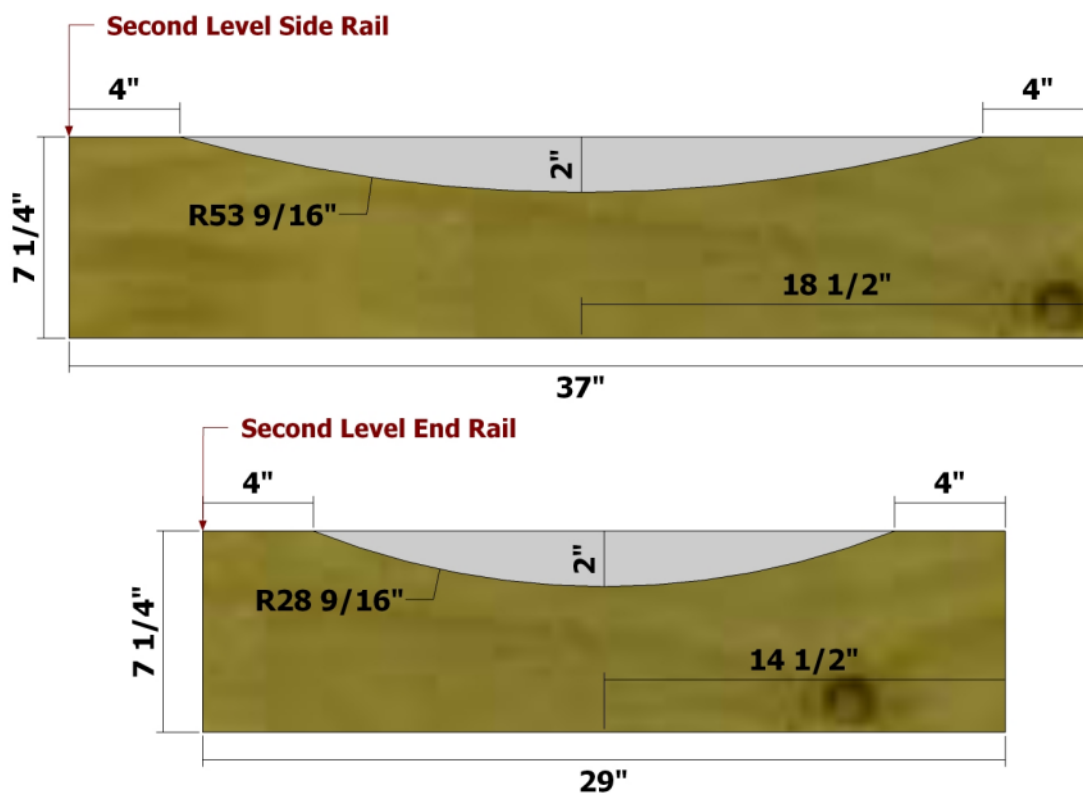
If using pocket hole joinery, **set your pocket hole jig for 1 1/2" stock** and drill three pocket holes on each end of the Bottom Side Rail. If using 3" deck screws, drill three pilot holes 3/4" in from the ends of the Bottom End Rail.

NOTE

Position the parts as shown and attach using 2 1/2" pocket hole screws or 3" deck screws.



LAYOUT

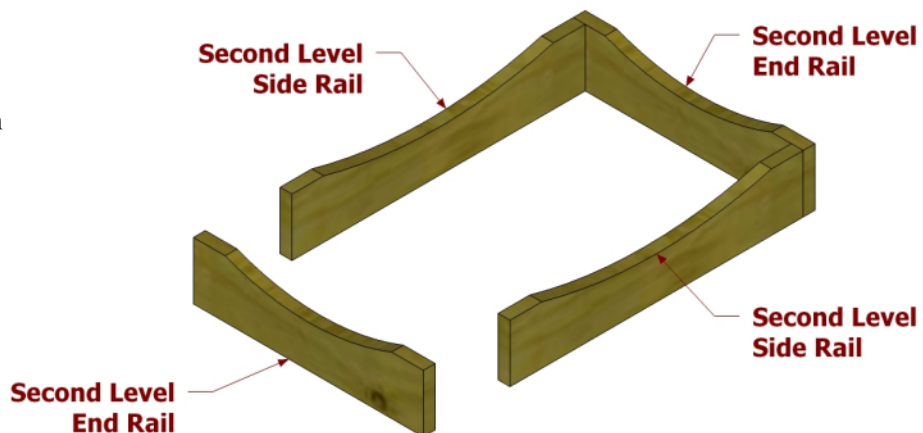


NOTE

If using pocket hole joinery, set your pocket hole jig for 1 1/2" stock and drill three pocket holes on each end of the Second Level Side Rail. If using 3" deck screws, drill three pilot holes 3/4" in from the ends of the Second Level End Rail.

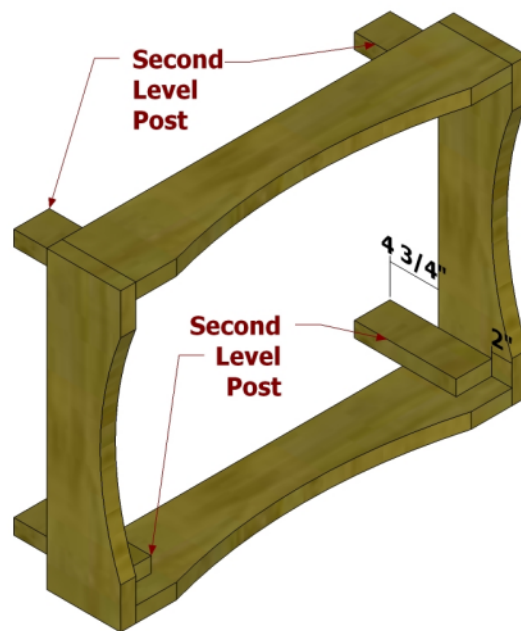
 **NOTE**

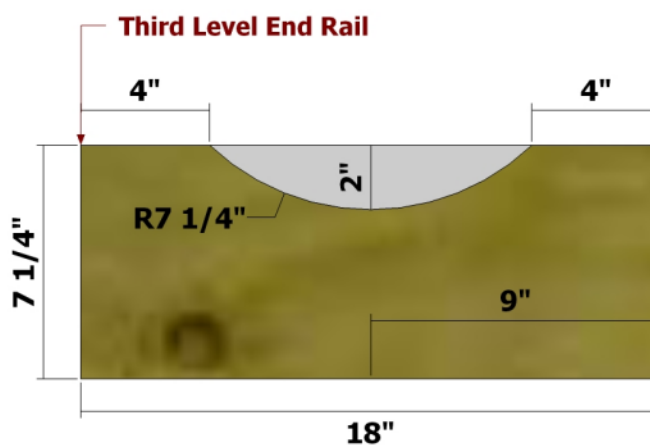
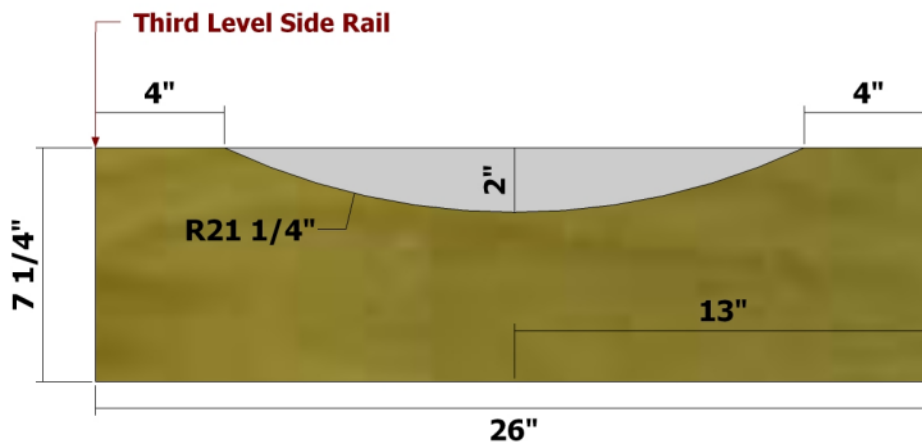
Position the parts as shown and attach using 2 1/2" pocket hole screws or 3" deck screws.



 **NOTE**

Position the parts as shown and attach using 2 1/2" deck screws.



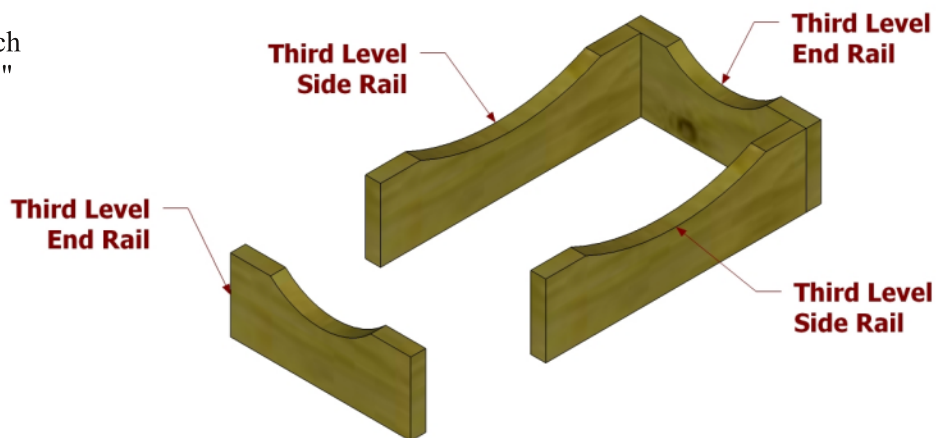


NOTE

If using pocket hole joinery, **set your pocket hole jig for 1 1/2" stock** and drill three pocket holes on each end of the Third Level Side Rail. If using 3" deck screws, drill three pilot holes 3/4" in from the ends of the Third Level End Rail.

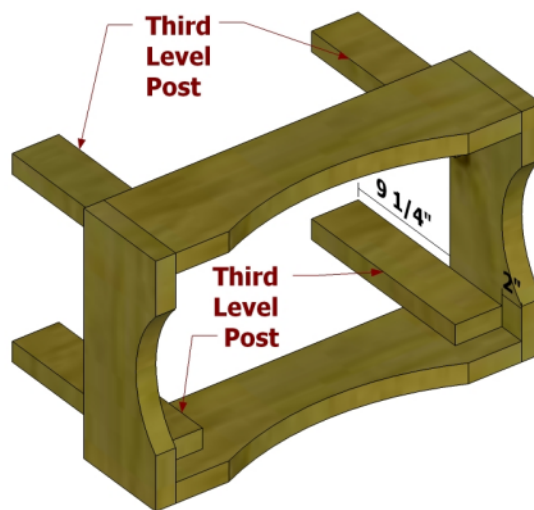
NOTE

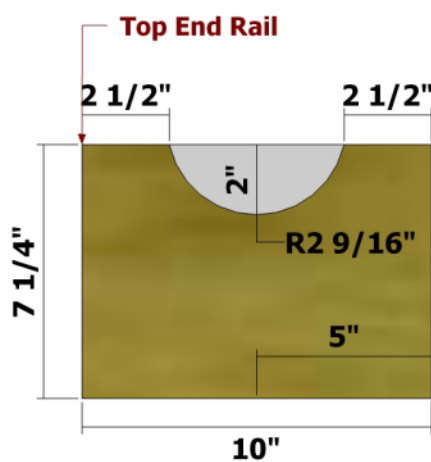
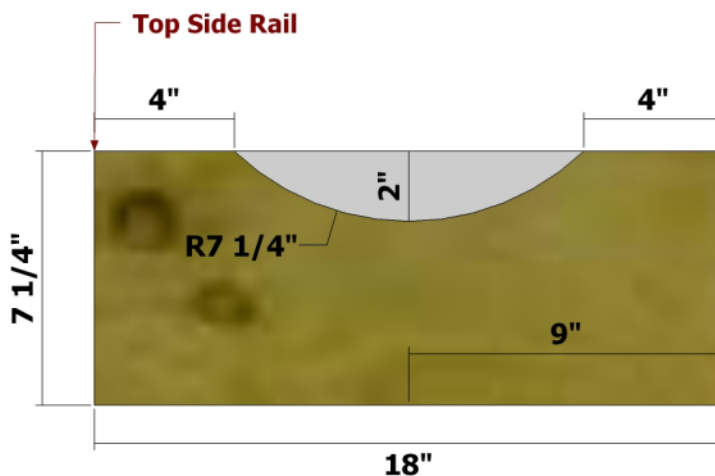
Position the parts as shown and attach using 2 1/2" pocket hole screws or 3" deck screws.



NOTE

Position the parts as shown and attach using 2 1/2" deck screws.



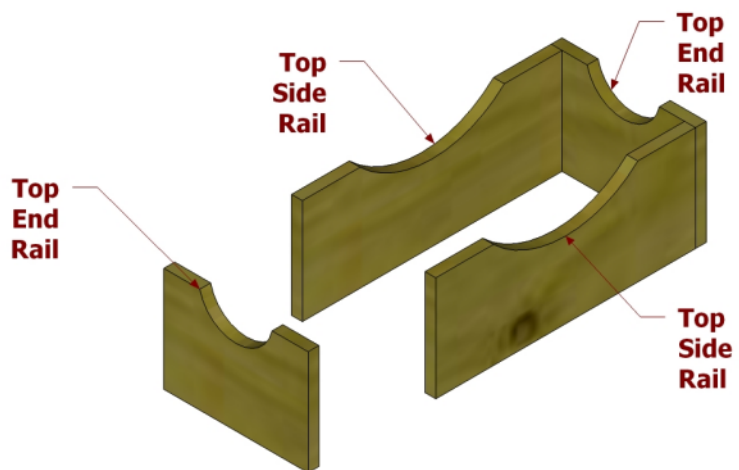


NOTE

If using pocket hole joinery, **set your pocket hole jig for 3/4" stock** and drill three pocket holes on each end of the Top Side Rail. If using 1 1/4" deck screws, drill three pilot holes 3/8" in from the ends of the Top End Rail.

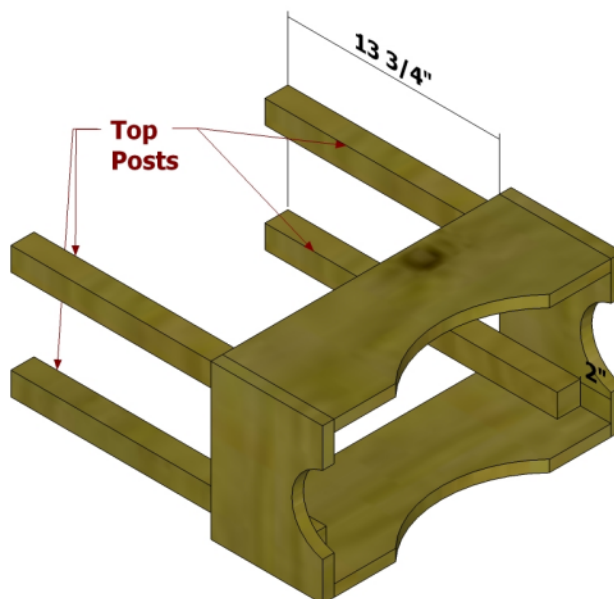
 **NOTE**

Position the parts as shown and attach using 1 1/4" pocket hole screws or 1 1/4" deck screws.



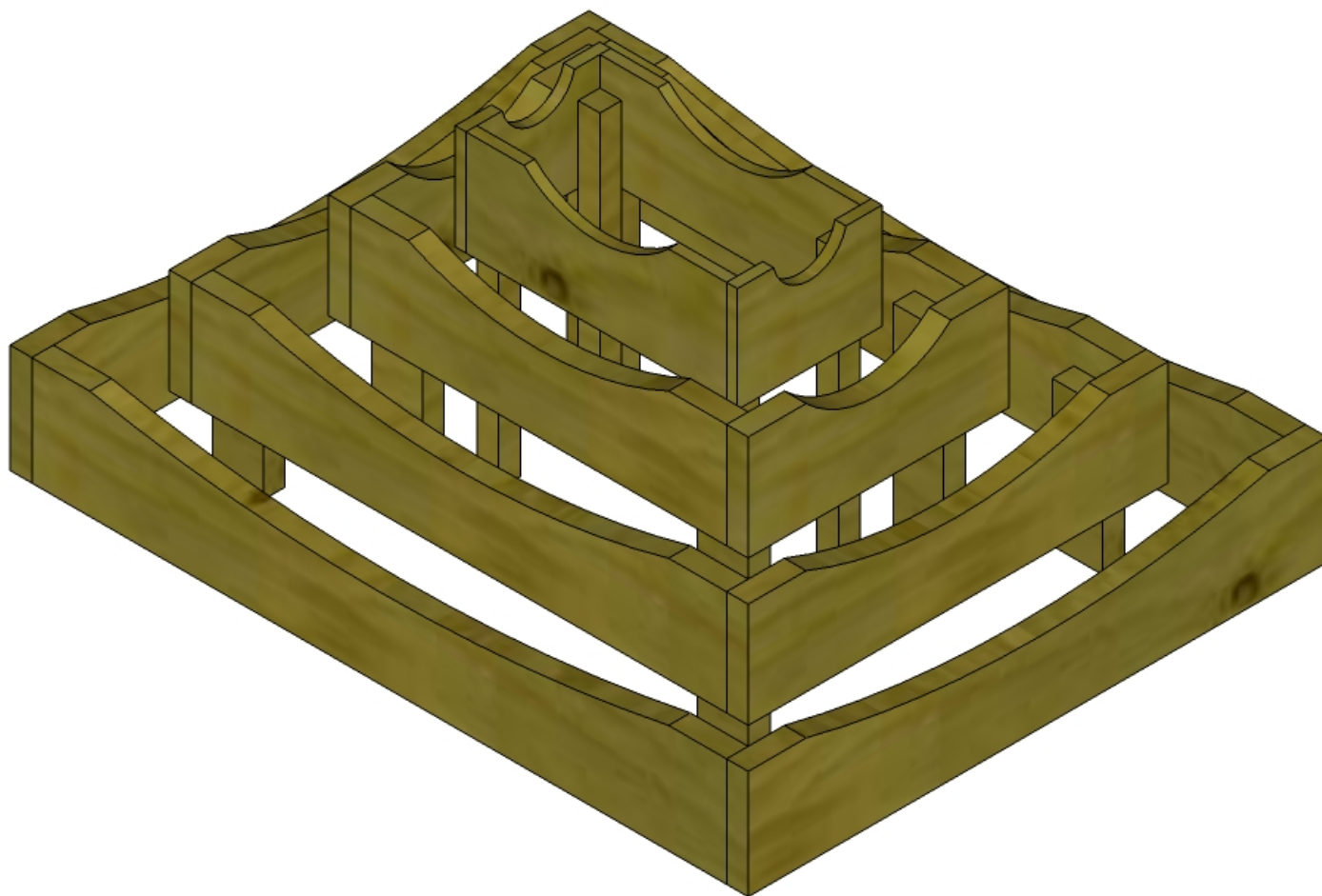
 **NOTE**

Position the parts as shown and attach using 1 1/4" deck screws.

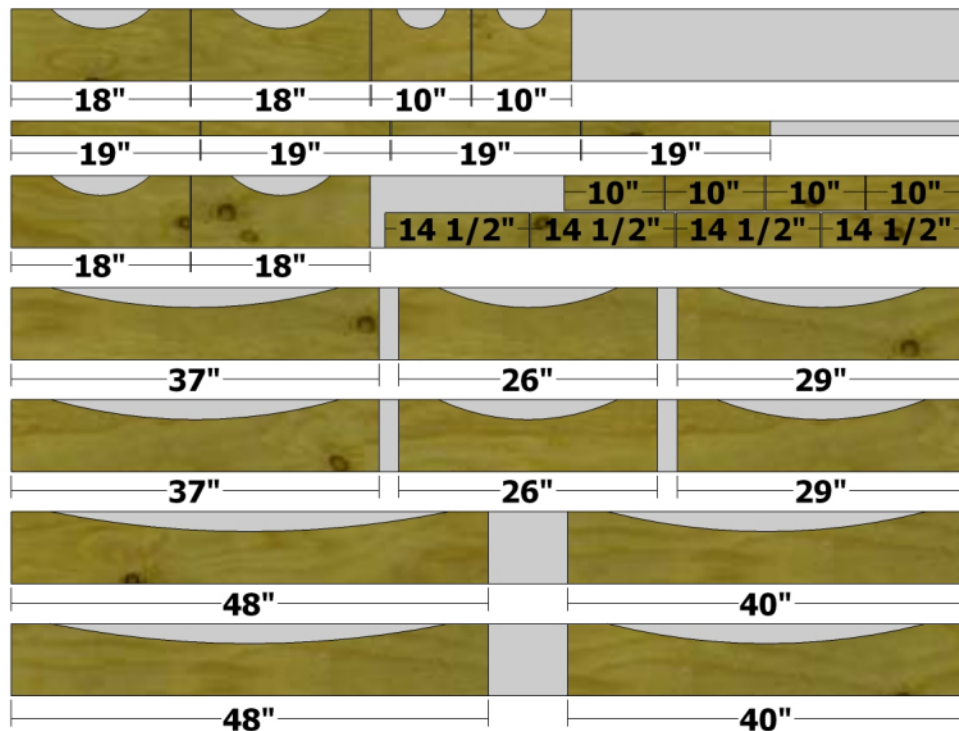


 NOTE

Position the levels centered. Add soil after you place each level.



 **CUTTING DIAGRAM**



1 x 8 x 8

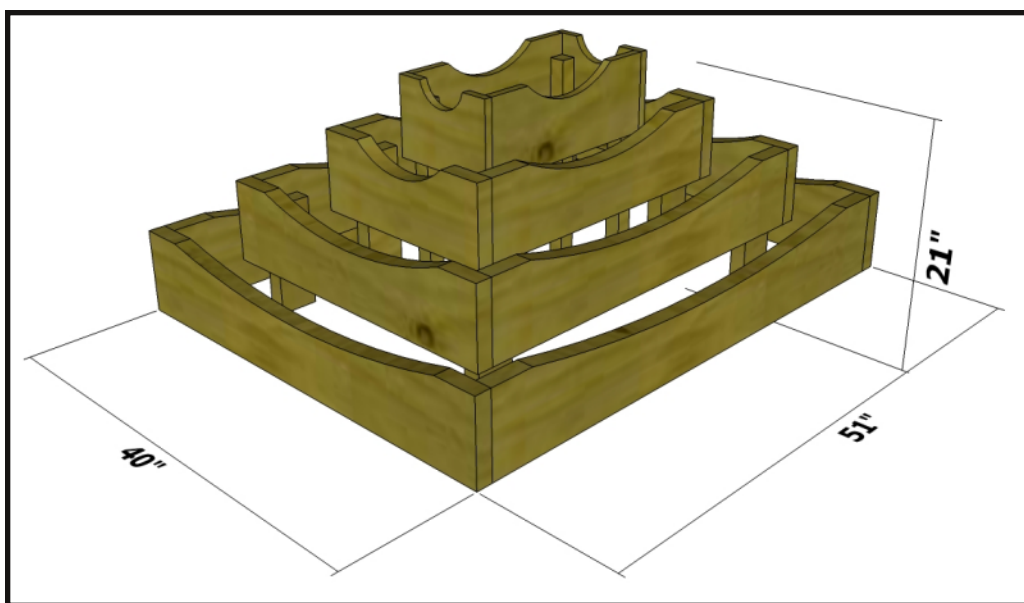


2 x 2 x 8



NOTE
If you'd rather not rip the 2x8 to create the posts, you can cut them from 2x4.

2 x 8 x 8
(5)



 **PARTS** 

- Bottom Side Rails (2)** - 1 1/2 x 7 1/4 x 48
- Bottom End Rails (2)** - 1 1/2 x 7 1/4 x 40
- Second Level Side Rails (2)** - 1 1/2 x 7 1/4 x 37
- Second Level End Rails (2)** - 1 1/2 x 7 1/4 x 29
- Second Level Posts (4)** - 1 1/2 x 3 1/2 x 10
- Third Level Side Rails (2)** - 1 1/2 x 7 1/4 x 26
- Third Level End Rails (2)** - 1 1/2 x 7 1/4 x 18
- Third Level Posts (4)** - 1 1/2 x 3 1/2 x 14 1/2
- Top Side Rails (2)** - 3/4 x 7 1/4 x 48
- Top End Rails (2)** - 3/4 x 7 1/4 x 40
- Top Posts (4)** - 1 1/2 x 1 1/2 x 19

All parts are listed in actual dimensions. Refer to the Cutting Diagram on the last page of this plan as a guide for determining the specific board from which to cut the parts.

 **TAKE CARE!**

Follow **ALL SAFETY GUIDELINES AND RECOMMENDATIONS** provided by the manufacturers of your tools, and any chemicals such as glue and finishes you use in this project. **YOU** are responsible for your safety, so use common sense when working in the shop!